

# CIMON IPC

INDUSTRIAL PC

- CIMON PANEL PC
- CIMON RACK PC



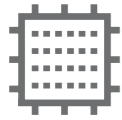
# INDUSTRIAL PC



CIMON IPC is an industrial computer device that runs on Windows/Linux OS and an Intel CPU. What makes an industrial PC different from ordinary PCs is that an industrial PC takes into account your automation and controls needs, including device endurance, user experience, and task execution. This goes in tandem with the fact that industrial PCs provide powerful performance in some of the harshest environments, which are not uncommon in and around many factories and facilities. Take advantage of CIMON IPC's strength and speed to improve operational efficiency at your establishment.

# PRODUCT PERFORMANCE

## CIMON PANEL PC



### SSD and CPU Lineup

Fast start-up and processing speeds plus greater product functioning with Intel J1900/i3-6100U/i5-6300U processors



### Proven Reliability

FCC, CE, UL,\* cUL, IP65, IECEx certified\* and NEMA 4X rated for demonstrated durability and dependability



### Heat and Energy Management

Extremely low power consumption of 16 W,\* impressive thermal dissipation to maintain device equilibrium, and a fanless design to preserve device longevity



### Variety of Interfaces

Includes 2 gigabit Ethernet ports, up to 4 serial ports,\* and up to 4 USB 3.0 ports\*



\*Applies only to select models

The mainboards that go into our PCs are specifically designed and manufactured to withstand harsh environmental conditions and allow for maximum productivity levels.

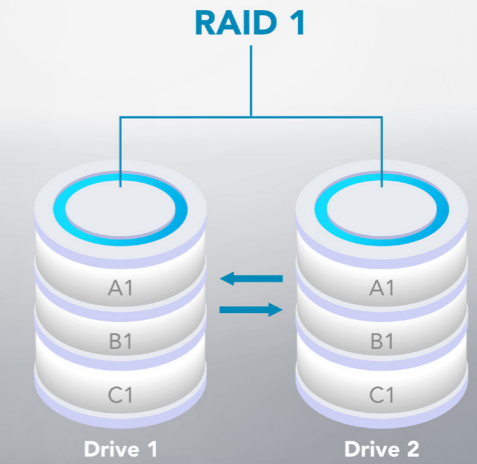
### Disk Drive Preservation

UWF and EWF features\* enhance device security and provide the means for increased device survivability by implementing restrictions. Prevent the unauthorized use of disk volume, including the installation of undesirable software or changes to system settings, and allow a fresh, clean slate when using CIMON Panel PC



### System Integrity

RAID 1 configuration\* mirrors your information onto a separate disk so your information is safe and ready for restoration in case of a critical error. A one-click Winclone solution\* can back up your data when needed, and hot swap storage\* allows you to exchange disk drives while servers are still up and running, reducing both cost and downtime.



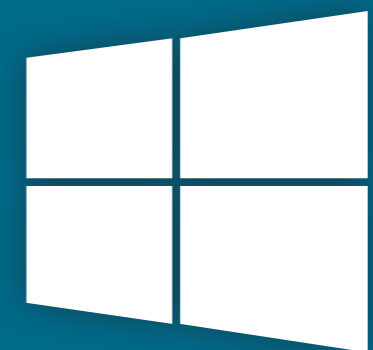
### Industrial Strength

CIMON Panel PC can handle severe environments, from humid to dry and from hot to cold. Aluminum die-casted casings\* provide intense durability thanks to improved shock and vibration resistance technology along with stellar heat dissipation.



### Array of Operating Systems

Stay compliant, secure, and confident with well-known and reputable OS versions such as Windows Embedded Standard 7, Windows 10 IoT Enterprise, Windows 10 Professional, and Linux, all while displaying your projects in virtually any language with the multilingual user interface (MUI) package.\*\*



\*Applies only to select models

\*\*Applies only to select operating systems

# PRODUCT PERFORMANCE

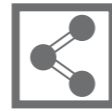
## CIMON RACK PC

CIMON Rack PC features a 1U case with a fanless design. This industrial computer can be used in various sites where reliability, resistance to dust, and low power consumption are most important.



### Impressive Performance

Start with 250 GB of SSD storage,\*\* up to 8 GB of RAM, and an Intel J1900 CPU



### Extensive Connectivity

Take advantage of compatibility and communications with 2 gigabit Ethernet ports, 5 USB ports, and Mini PCIe slots for maximum effectiveness



### Project Stability

EWf, UWF, and Winclone keep your sensitive information secure from unauthorized users and ready for any needed restoration



### Energy Efficient

Work on your industrial projects with as little as 13 W of power consumption, allowing for a smooth workflow while saving energy and costs over time



\*\*Storage expansion available upon request

### Data Protection

Secure data is crucial for business operations. CIMON Rack PC comes with built-in measures to increase reliability. Our RAID 1 protocol\* replicates and stores your information on multiple disks, allowing you to keep your projects safe and intact in case one disk suffers a critical error.



### Agility and Adaptability

Machine downtime that halts business production can be frustrating and costly. However, with hot swap storage,\* you can easily replace hard drives while the servers are live and operational, resulting in zero downtime for your business.



### Superb Scalability

Just as project sizes may vary, so too do our rack PCs. For projects that require a more compact device, choose a 1U-sized model. For projects that require additional capability, upgrade to up to 8GB of RAM.



### Longevity and Dependability

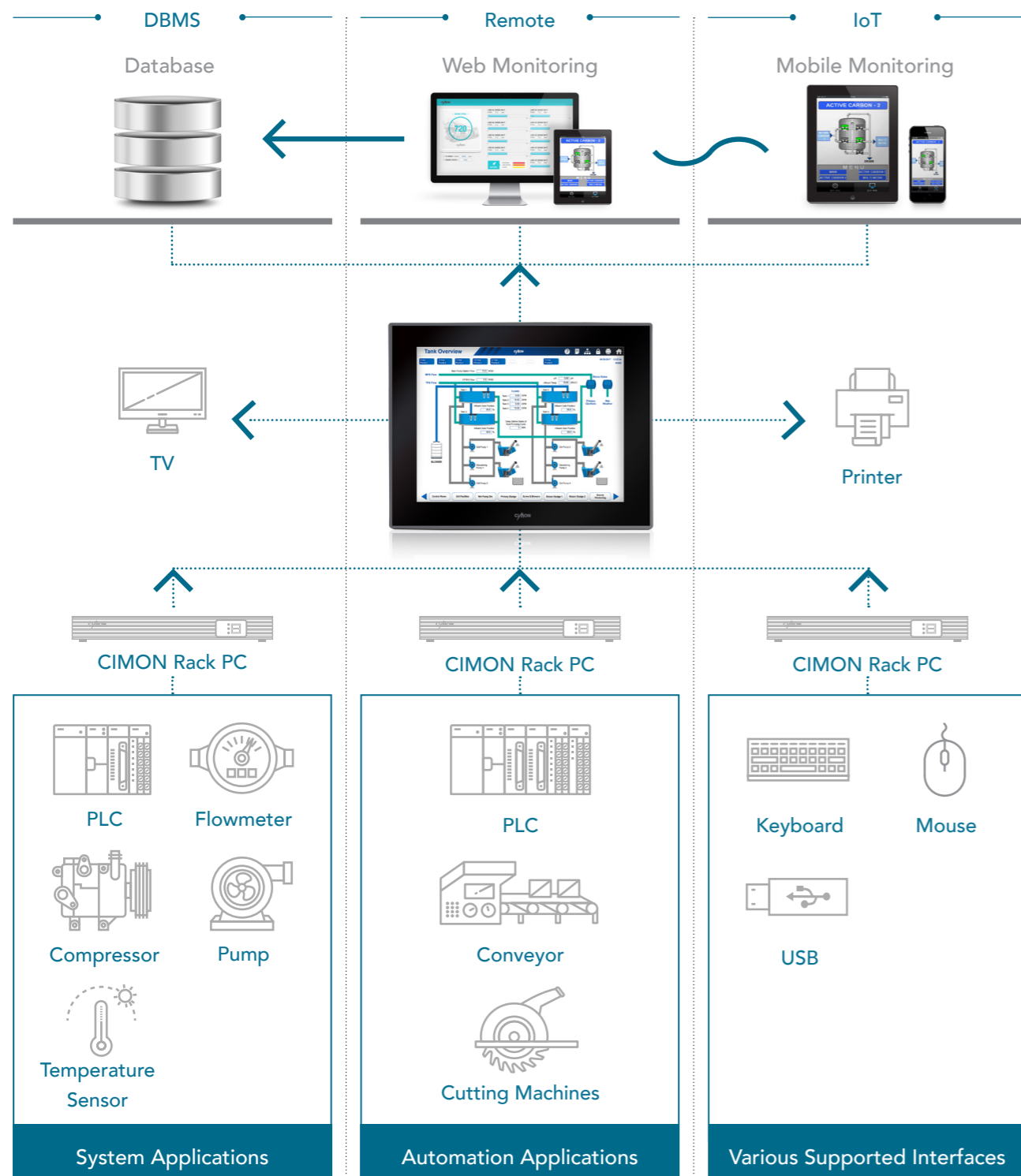
Our rack PCs are designed with fanless systems and metal casings to reduce noise pollution and extend the overall lifespan of the device, allowing you to enjoy peak performance for a greater amount of time.



\*Applies only to select models

# PRODUCT CONFIGURATION

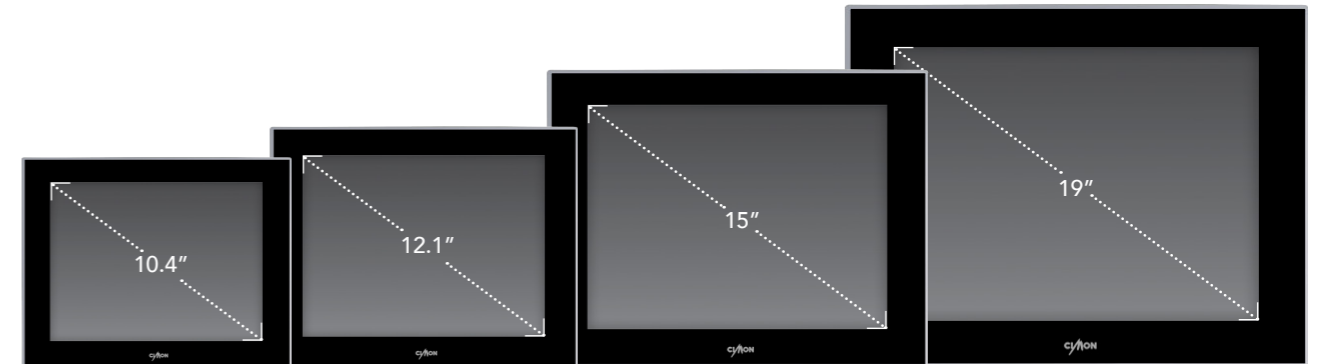
## SYSTEM LAYOUT



# CIMON IPC SPECIFICATIONS

## PRODUCT DETAILS

The CIMON IPC series provides an extensive range of robust and reliable industrial PCs. All panel PC and rack PC products are rigorously tested and professionally designed to withstand harsh industrial conditions.



Fanless design and low power consumption	Windows 10 IoT Enterprise OS (default)
Aluminum die-casted case	UWF/EWF program for protection of the OS
Sunlight readable option available	Serial, Ethernet (10/100/1000 BASE-T), VGA/DVI-D, HDMI/DP/DVI-D
Scratch-resistant touchscreen	Capactive touch option available
LED BLU maximizes screen lifecycle	Easy connection with other control devices

## Rack and Panel PC

Item	Specification	Item	Specification
<b>INPUT VOLTAGE</b>	DC 24 V or AC 100–240 V (50/60 Hz)	<b>DUST</b>	≤ 0.1 mg/m <sup>3</sup>
<b>OPERATING TEMPERATURE</b>	0 °C–50 °C	<b>POLLUTION</b>	Pollution Degree 2
<b>STORAGE TEMPERATURE</b>	-20 °C–60 °C	<b>AIR CONDITION</b>	Avoid corrosive gas and excessive dust
<b>OPERATING HUMIDITY</b>	Relative humidity 10%–85% at 29 °C (non-condensing)	<b>VIBRATION RESISTANCE</b>	Device with SSD storage: 9.8m/s <sup>2</sup> (1 G), 10 Hz–25 Hz in X, Y, Z (80 minutes)
<b>STORAGE HUMIDITY</b>	Relative humidity 10%–85% at 39 °C (non-condensing)	<b>NOISE RESISTANCE</b>	Impulse, EFT/Burst transients, surge, ±2 kV, 1 μs (IEC 61000-4-4)
<b>ENVIRONMENT CONDITION</b>	800 hPa–1114 hPa (below 2000 m)	<b>ELECTROSTATIC DISCHARGE IMMUNITY</b>	±4 kV contact discharge, ±8 kV air discharge (IEC 61000-4-2)

## Panel PC

	CM-iNP411-D (DC) CM-iNP411-A (AC)	CM-iNP412-D (DC) CM-iNP412-A (AC)	CM-iNP415-D (DC) CM-iNP415-A (AC)	CM-iNP419-D (DC) CM-iNP419-A (AC)
<b>CPU</b>	Intel® Celeron® J1900 2.0 GHz			
<b>MEMORY</b>	8 GB (max. 8 GB) DDR3L RAM			
<b>GRAPHIC</b>	Integrated Intel HD Graphic			
<b>DISPLAY</b>	10.4" TFT LCD	12.1" TFT LCD	15" TFT LCD	19" TFT LCD
<b>RESOLUTION</b>	1024 × 768 (XGA)			1280 × 1024 (SXGA)
<b>LCD BRIGHTNESS</b>	600 cd/m <sup>2</sup>	700 cd/m <sup>2</sup>	450 cd/m <sup>2</sup>	550 cd/m <sup>2</sup>
<b>BACKLIGHT UNIT</b>	LED			
<b>TOUCH</b>	Analog resistive			
<b>STORAGE</b>	1 × SSD 250 GB			
<b>EX. STORAGE</b>	1 × mSATA			
<b>SERIAL</b>	1 × RS-232/422/485, 1 × RS-232	1 × RS-232/422/485, 2 × RS-232, 1 × RS-422/485		
<b>ETHERNET</b>	2 × Gigabit Ethernet			
<b>USB</b>	2 × USB 2.0, 1 × USB 3.0			1 × Front USB 2.0, 2 × Rear USB 2.0, 1 × USB 3.0
<b>AUDIO</b>	1 × Line-out, 1 × Mic-in			
<b>EX. VIDEO</b>	VGA/DVI			
<b>HOT SWAP/RAID 1</b>	N/A			Supported
<b>OS (SELECTABLE)</b>	Windows 10 IoT Enterprise (default)/Windows 10 Pro/Windows 10 Enterprise/ Windows Embedded Standard 7			
<b>UTILITY PROGRAM</b>	Winclone 6 and UWF (Windows 10)/EWF (Windows 7)			
<b>POWER CONSUMPTION</b>	16 W	21 W	23 W	25 W
<b>INPUT VOLTAGE</b>	AC models (CM-iNPxxx-A): AC 100–240 V, 50/60 Hz; DC models (CM-iNPxxx-D): DC 24 V			
<b>ENCLOSURE</b>	Front case: aluminum, Rear case: plastic			Plastic
<b>WEIGHT</b>	3 kg (6.61 lb)	3.8 kg (8.38 lb)	4.9 kg (10.8 lb)	7.5 kg (16.53 lb)

	CM-NP3612-D (DC) CM-NP3612-A (AC)	CM-NP3615-D (DC) CM-NP3615-A (AC)	CM-NP5615-D (DC) CM-NP5615-A (AC)	CM-NP5619-D (DC) CM-NP5619-A (AC)
<b>CPU</b>	Intel® i3-6100U		Intel® i5-6300U	
<b>MEMORY</b>	8 GB (max. 16 GB) DDR4 SO-DIMM			
<b>GRAPHIC</b>	Integrated Intel HD Graphic			
<b>DISPLAY</b>	12.1" TFT LCD	15" TFT LCD	15" TFT LCD	19" TFT LCD
<b>RESOLUTION</b>	1024 × 768 (XGA)			1280 × 1024 (SXGA)
<b>LCD BRIGHTNESS</b>	700 cd/m <sup>2</sup>	450 cd/m <sup>2</sup>	450 cd/m <sup>2</sup>	550 cd/m <sup>2</sup>
<b>BACKLIGHT UNIT</b>	LED			
<b>TOUCH</b>	Analog resistive			
<b>STORAGE</b>	1 × SSD 250 GB			
<b>EX. STORAGE</b>	1 × mSATA			1 × mSATA, 1 × SATA
<b>SERIAL</b>	1 × RS-232/422/485, 2 × RS-232	1 × RS-232/422/485, 3 × RS-232		
<b>ETHERNET</b>	2 × Gigabit Ethernet			
<b>USB</b>	4 × USB 3.0			1 × Front USB 2.0, 4 × Rear USB 3.0
<b>AUDIO</b>	1 × Line-out			
<b>EX. VIDEO</b>	1 × HDMI/DP			
<b>HOT SWAP/RAID 1</b>	N/A			Supported
<b>OS (SELECTABLE)</b>	Windows 10 IoT Enterprise (default)/Windows 10 Pro/Windows 10 Enterprise/ Windows Embedded Standard 7			
<b>UTILITY PROGRAM</b>	Winclone 6 and UWF (Windows 10)/EWF (Windows 7)			
<b>POWER CONSUMPTION</b>	17 W	20 W	25 W	30 W
<b>INPUT VOLTAGE</b>	AC models (CM-iNPxxx-A): AC 100–240 V, 50/60 Hz; DC models (CM-iNPxxx-D): DC 24 V			
<b>ENCLOSURE</b>	Aluminum			Plastic
<b>WEIGHT</b>	4.5 kg (9.92 lb)	5.2 kg (11.46 lb)	5.2 kg (11.46 lb)	6.5 kg (14.33 lb)

## Panel IPC Options &amp; Add-ons

ADD-ON	DESCRIPTION
<b>Extra 8GB RAM</b>	Additional 8GB DDR4 RAM installed for Core series CPU
<b>500GB SSD</b>	Replace 250GB SSD with 500GB SSD installed for Core series CPU
<b>1TB SSD</b>	Replace 250GB SSD with 1TB SSD installed for Core series CPU
<b>Extra 500GB SSD</b>	Additional 500GB SSD installed for Core series CPU
<b>Extra 1TB SSD</b>	Additional 1TB SSD installed for Core series CPU
<b>RAID 1 250GB SSD</b>	2 × 250GB installed for CM-NP5619
<b>RAID 1 500GB SSD</b>	2 × 500GB SSD installed for CM-NP5619
<b>Windows 10 Pro</b>	Install Windows 10 Pro instead of Windows 10 IoT Enterprise
<b>Windows 10 Enterprise</b>	Install Windows 10 Enterprise instead of Windows 10 IoT Enterprise
<b>Windows 7 Pro</b>	Install Windows 7 Pro instead of Windows 10 IoT Enterprise
<b>Windows 7 Embedded</b>	Install Windows 7 Embedded instead of Windows 10 IoT Enterprise

## Rack PC

Specification	CM-NU1RB-A
<b>CPU</b>	Intel® Celeron® J1900 2.0 GHz (fanless)
<b>MEMORY</b>	8 GB (max. 8 GB) DDR3L RAM
<b>GRAPHIC</b>	Integrated Intel HD Graphic
<b>STORAGE</b>	1 × SSD 250 GB
<b>EX. STORAGE</b>	1 × mSATA
<b>SERIAL</b>	1 × RS-232/422/485, 1 × RS-232
<b>ETHERNET</b>	2 × Gigabit Ethernet
<b>USB</b>	2 × Front USB 2.0, 2 × Rear USB 2.0, 1 × USB 3.0,
<b>AUDIO</b>	1 × Line-in/Mic-in
<b>EX. VIDEO</b>	1 × VGA/DVI-D
<b>PCI-E</b>	1 × Mini PCIe
<b>HOT SWAP/RAID 1</b>	N/A
<b>OS (SELECTABLE)</b>	Windows 10 IoT Enterprise (default)/Windows 10 Pro/Windows 10 Enterprise/ Windows Embedded Standard 7/Linux
<b>UTILITY PROGRAM</b>	Winclone 6 and UWF (Windows 10)/EWF (Windows 7)
<b>POWER CONSUMPTION</b>	13 W
<b>INPUT VOLTAGE</b>	AC 100–240 V, 50/60 Hz
<b>WEIGHT</b>	3.8 kg (8.38 lb)

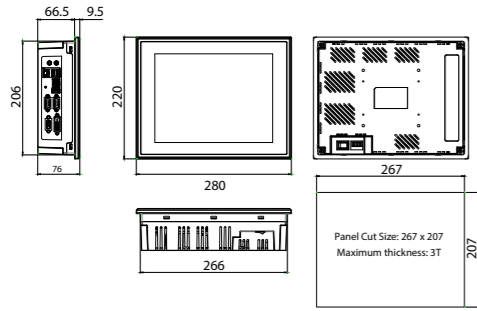
## Rack 1U Options &amp; Add-Ons

ADD-ON	DESCRIPTION
<b>Extra 250GB SSD</b>	Additional 250GB SSD
<b>Windows 10 Pro</b>	Install Windows 10 Pro instead of Windows 10 IoT Enterprise
<b>Windows 10 Enterprise</b>	Install Windows 10 Enterprise instead of Windows 10 IoT Enterprise
<b>Windows 7 Pro</b>	Install Windows 7 Pro instead of Windows 10 IoT Enterprise
<b>Windows 7 Embedded</b>	Install Windows 7 Embedded instead of Windows 10 IoT Enterprise

## Panel PC Diagrams

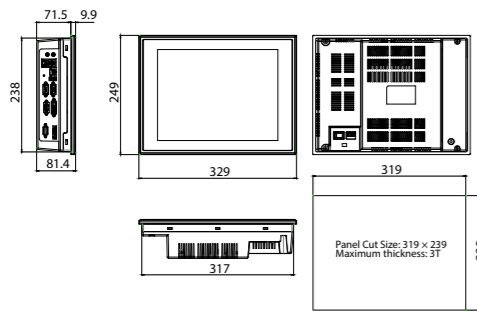
### CM-INP411

10.4-inch model



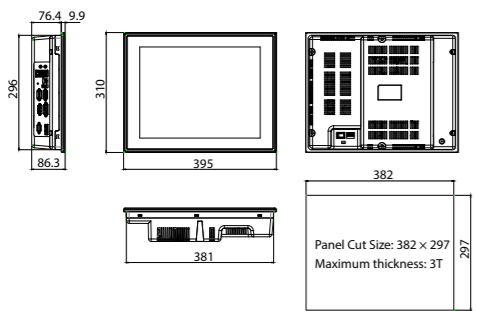
### CM-INP412

12.1-inch model



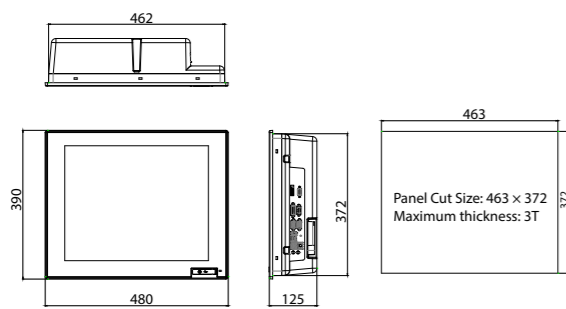
### CM-INP415

15-inch model



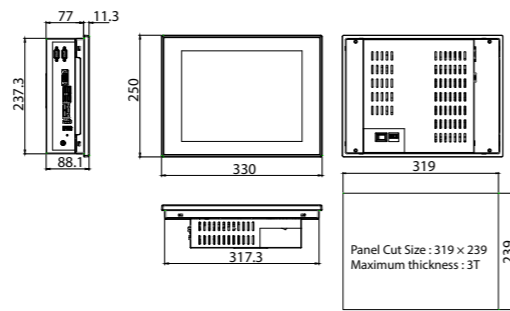
### CM-INP419

19-inch model



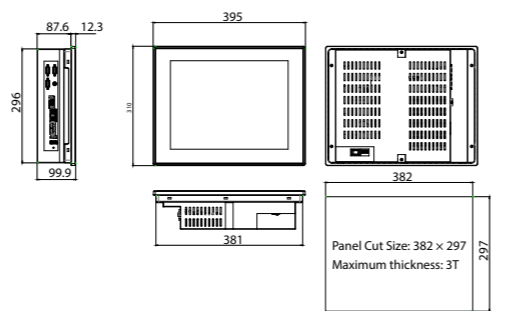
### CM-NP3612

12.1-inch model



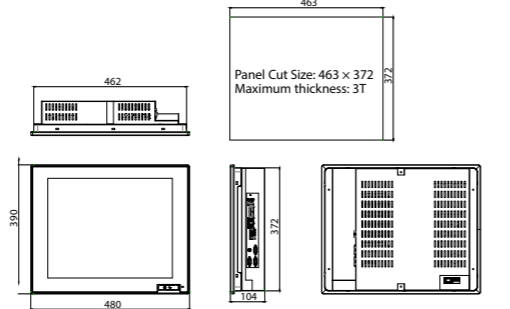
### CM-NP3615, CM-NP5615

15-inch models



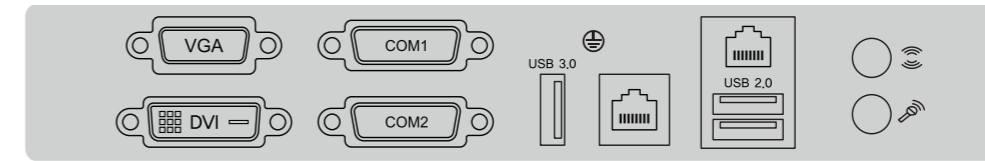
### CM-NP5619

19-inch model

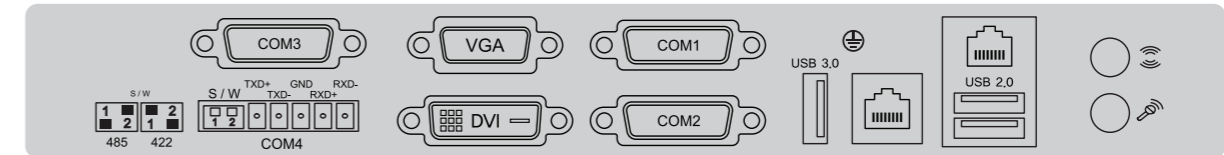


## Panel PC I/O Plates

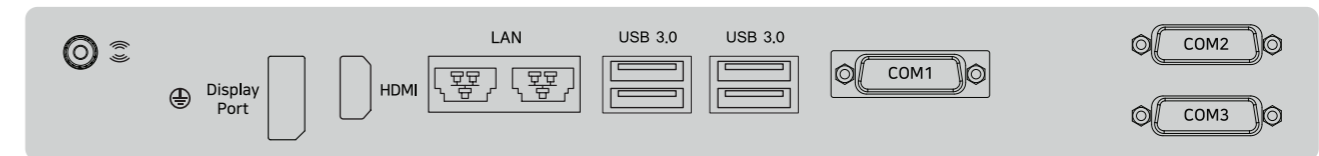
### CM-INP411 I/O Plate



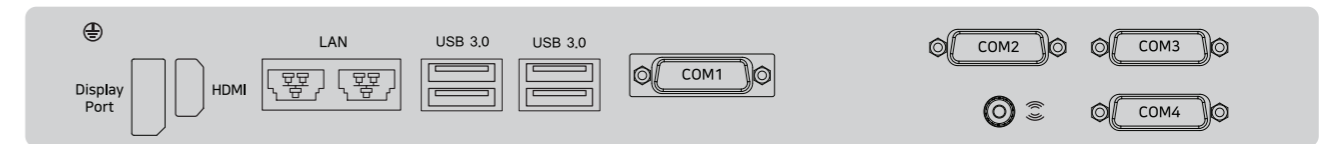
### CM-INP412, CM-INP415, CM-INP419 I/O Plate



### CM-NP3612 I/O Plate

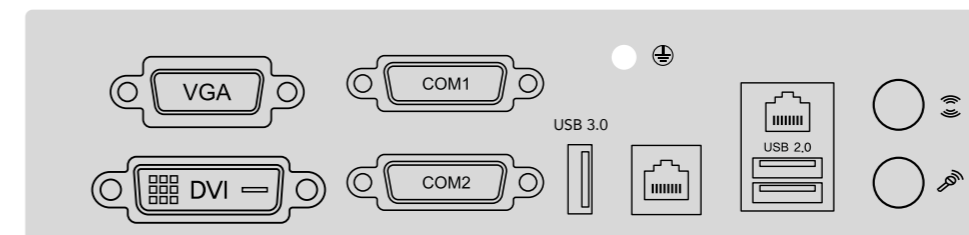


### CM-NP3615, CM-NP5615, CM-NP5619 I/O Plate



## Rack PC I/O Plates

### CM-NU1R I/O Plate



## CIMON PANEL PC LINEUP

Model	Description
CM-iNP411-A	Intel J1900, 10.4" (1024 × 768), 250 GB SSD, 8 GB DDR3L RAM, 2 × serial, 2 × Ethernet, 3 × USB, AC 100–240 V (50/60 Hz)
CM-iNP411-D	Intel J1900, 10.4" (1024 × 768), 250 GB SSD, 8 GB DDR3L RAM, 2 × serial, 2 × Ethernet, 3 × USB, DC 24 V
CM-iNP412-A	Intel J1900, 12.1" (1024 × 768), 250 GB SSD, 8 GB DDR3L RAM, 2 × serial, 2 × Ethernet, 3 × USB, AC 100–240 V (50/60 Hz)
CM-iNP412-D	Intel J1900, 12.1" (1024 × 768), 250 GB SSD, 8 GB DDR3L RAM, 2 × serial, 2 × Ethernet, 3 × USB, DC 24 V
CM-iNP415-A	Intel J1900, 15" (1024 × 768), 250 GB SSD, 8 GB DDR3L RAM, 2 × serial, 2 × Ethernet, 3 × USB, AC 100–240 V (50/60 Hz)
CM-iNP415-D	Intel J1900, 15" (1024 × 768), 250 GB SSD, 8 GB DDR3L RAM, 2 × serial, 2 × Ethernet, 3 × USB, DC 24 V
CM-iNP419-A	Intel J1900, 19" (1280 × 1024), 250 GB SSD, 8 GB DDR3L RAM, 4 × serial, 2 × Ethernet, 4 × USB, AC 100–240 V (50/60 Hz)
CM-iNP419-D	Intel J1900, 19" (1280 × 1024), 250 GB SSD, 8 GB DDR3L RAM, 4 × serial, 2 × Ethernet, 4 × USB, DC 24 V
CM-NP3612-A	Intel Core i3-6100U, 12.1" (1024 × 768), 250 GB SSD, 8 GB DDR4 RAM, 3 × serial, 2 × Ethernet, 4 × USB, AC 100–240 V (50/60 Hz)
CM-NP3612-D	Intel Core i3-6100U, 12.1" (1024 × 768), 250 GB SSD, 8 GB DDR4 RAM, 3 × serial, 2 × Ethernet, 4 × USB, DC 24 V
CM-NP3615-A	Intel Core i3-6100U, 15" (1024 × 768), 250 GB SSD, 8 GB DDR4 RAM, 4 × serial, 2 × Ethernet, 4 × USB, AC 100–240 V (50/60 Hz)
CM-NP3615-D	Intel Core i3-6100U, 15" (1024 × 768), 250 GB SSD, 8 GB DDR4 RAM, 4 × serial, 2 × Ethernet, 4 × USB, DC 24 V
CM-NP5615-A	Intel Core i5-6300U, 15" (1024 × 768), 250 GB SSD, 8 GB DDR4 RAM, 4 × serial, 2 × Ethernet, 4 × USB, AC 100–240 V (50/60 Hz)
CM-NP5615-D	Intel Core i5-6300U, 15" (1024 × 768), 250 GB SSD, 8 GB DDR4 RAM, 4 × serial, 2 × Ethernet, 4 × USB, DC 24 V
CM-NP5619-A	Intel Core i5-6300U, 19" (1280x1024), 250 GB SSD, 8 GB DDR4 RAM, 4 × serial, 2 × Ethernet, 5 × USB, AC 100–240 V (50/60 Hz), hot swap/RAID 1 supported
CM-NP5619-D	Intel Core i5-6300U, 19" (1280x1024), 250 GB SSD, 8 GB DDR4 RAM, 4 × serial, 2 × Ethernet, 5 × USB, DC 24 V, hot swap/RAID 1 supported

## CIMON RACK PC LINEUP

Model	Description
CM-NU1RB-A	1U rack type, Intel J1900, 250 GB SSD, 8 GB DDR3L RAM, 1 × Mini PCIe, 2 × serial, 2 × Ethernet, 5 × USB, AC 100–240 V (50/60 Hz)

**CIMON**  
A U T O M A T I O N

**CIMON** [www.cimon.com](http://www.cimon.com)

Revision Date: APR 2021

**USA** CIMON Inc. 2435 W Horizon Ridge Pkwy #100, Henderson, NV 89052

**Tel.** 702-820-1060

**Seoul Office** 11th Floor, M State, #114, Beobwon-ro, Songpa-gu, Seoul, Republic of Korea, 05854

**Tel.** +82 2 480 8587

**HO Office** #48, Beolmal-ro, Bundang-gu, Seongnam-si, Gyeonggi-do, Republic of Korea, 13503

**Sales Email:** sales@cimoninc.com

**Support Email:** support@cimoninc.com