

# BOX PC



**CM-NB200**



**CM-NB5011**

## FEATURES

- High-speed fanless CPU.
- Strong noise immunity.
- Standard din-rail support.
- Extended operating temperature.
- All certification approval including UL.
- WiFi/BT combo module available upon request.

## BENEFITS

- Reliable performance by fanless CPU design in harsh environment.
- UWF/Winclon for secured restoration.

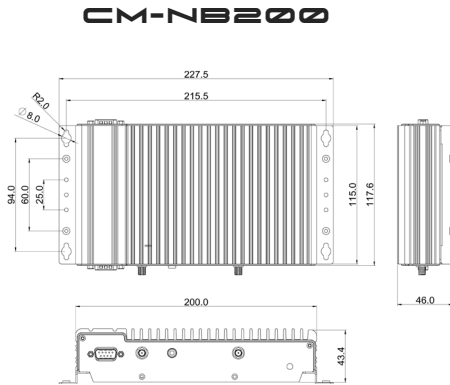
## FUNCTIONAL

CIMON Part Number	CM-NB200-D	CM-NB3011-D	CM-NB5011-D
<b>CPU</b>	Intel Celeron J3455 Quad Core, 1.5GHz, 2M Cache (10W)	11th Intel® Core™ i3-1115G4E Dual Core, 2.2 GHz, 6M Cache (15W)	11th Intel® Core™ i5-1145G7E Quad Core, 1.5 GHz, 8M Cache (15W)
<b>Memory</b>	1xDDR3L-1600 SO-DIMM (Default 8GB)	1xDDR4 SO-DIMM up to 32GB (Default 8GB)	
<b>Graphic</b>	Intel® HD graphics 500	Intel® UHD graphics	Intel® Iris® Xe graphics
<b>Storage</b>	1 X M.2 SATA 2242 Key SSD (Default 256GB)	1 X M.2 SATA 2242 Key SSD (Default 256GB)	
<b>Display Ports</b>	2 x HDMI, resolution 3840 x 2160 @ 30Hz	1 x DP++, 4096 x 2304 @ 60Hz 1 x HDMI 2.0, 4096 x 2160 @ 60Hz	
<b>Serial</b>	1 x RS-232/RS422/RS485, 1 x RS-232	1 x RS-232/RS422/RS485	
<b>Ethernet</b>	2 x RJ45 Gigabit LAN		
<b>USB</b>	2 x USB 3.0, 2 x USB 2.0	4 x USB 3.0	
<b>Audio</b>	1 x Line-out		
<b>OS</b>	Windows 10 IoT Enterprise		
<b>Utility Program</b>	UWF / WinClon		
<b>Power Input</b>	9–24 VDC	24 VDC	
<b>Power Consumption</b>	Max. 18 W	Max. 50 W	

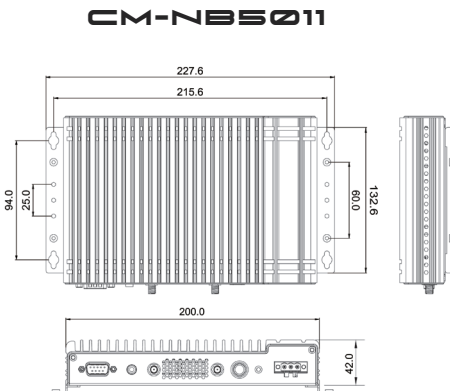


# BOX PC

## PHYSICAL



(Unit: mm)



(Unit: mm)

CIMON Part Number	CM-NB200-D	CM-NB3011-D	CM-NB5011-D
Dimension (W X D X H)	200 x 117.6 x 43.4 mm (7.9 x 4.6 x 1.7 in)	200 x 132.6 x 36 mm (7.9 x 5.2 x 1.4 in)	
Weight	1.21 kg (2.67 lb)	-	

## ENVIRONMENTAL

Item	Specification	Standards
Operating Temperature	-20 – + 60°C (-4 – +140°F)	-
Storage Temperature	-20 – + 80°C (-4 – +176°F)	-
Operating/ Storage Relative Humidity	5 – 95% Non-condensing	-
Shock	50G peak	IEC 60068-2-64
Vibration	Random: 2Grms@5~500 Hz Sinusoidal: 2G@5~500 Hz	IEC60068-2-64 IEC60068-2-6
Square Wave Impulse Noise	±2 kV	CIMON Standard
ESD Immunity	4 kV - Contact Discharges 8 kV - Air Discharges	IEC 61000-4-2 IEC 61000-4-2