

Industrial Panel PC

# CM-iNP500 SERIES



CIMON

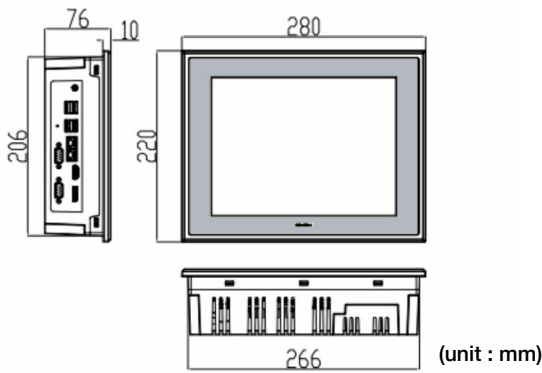
# CIMON

# Product Specification

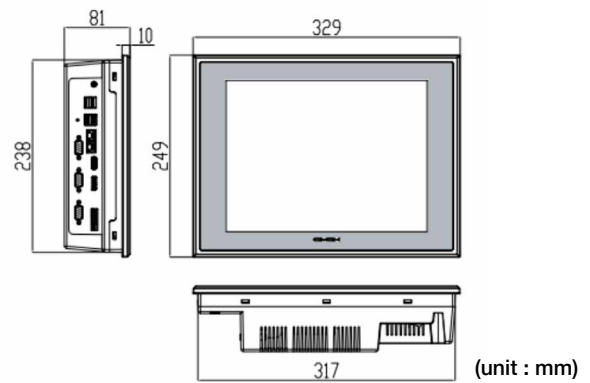
Specification	CM-iNP510-D	CM-iNP512-D	CM-iNP515-D	CM-iNP519-D
CPU	Intel® Celeron® Quad-Core J6412 SoC (FANLESS)			
Memory	DDR4 SDRAM 8GB (Max. 32GB)			
Graphic	Integrated Intel HD Graphic			
Display	10.4" TFT LCD	12.1" TFT LCD	15" TFT LCD	19" TFT LCD
Resolution	SVGA (800×600)	XGA (1024×768)		SXGA (1280×1024)
LCD Brightness	700cd/m <sup>2</sup>	600cd/m <sup>2</sup>	500cd/m <sup>2</sup>	400cd/m <sup>2</sup>
Backlight Life	50,000 hours	50,000 hours	70,000 hours	50,000 hours
Backlight Unit	LED			
Touch	Analog Resistive			
Storage	SATA × 1 (SSD 250G Byte)			
Ex. Storage	M.2(2280) NVMe type × 1			
Serial	COM1 : RS232/422/ 485 -1 Port (default : RS232) COM2 : RS232 -1 Port	COM1 : RS232/422/485 -1 Port (default : RS232) COM2~COM3 : RS232 -2 Ports, COM4 : RS422/485 -1 Port		
Ethernet	Gigabit Ethernet : 2 Ports			
USB	USB 2.0 : 1 Port, USB 3.0 : 3 Ports			
Audio	Line-Out, Line-In : 1 Port			
Ex. Video	HDMI, DP : 1 Port each			
OS (Selectable)	Windows 10 IoT Enterprise (default) Windows 10 Pro / Windows 10 Enterprise / Windows 11 Pro			
Utility Program	UWF, Winclon 6.0 (Recovery System)			
Power Consumption	42 W (MAX : 53 W)	51 W (MAX : 65 W)	48 W (MAX : 60W)	44 W (MAX : 57W)
Power Input	DC24V			

# Dimension

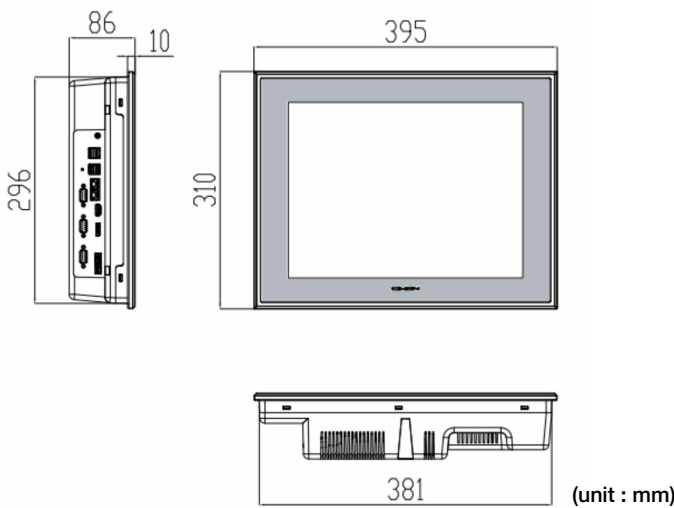
**iNP510**



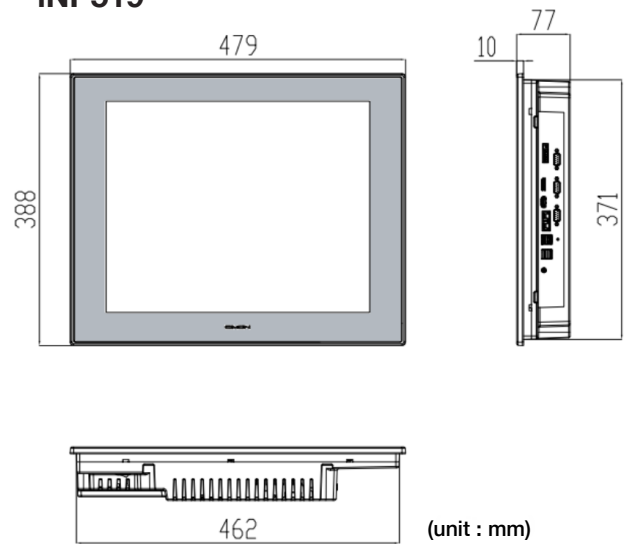
**iNP512**



**iNP515**

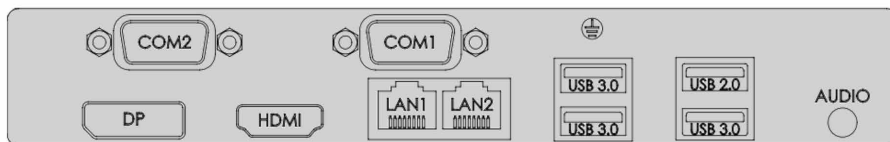


**iNP519**

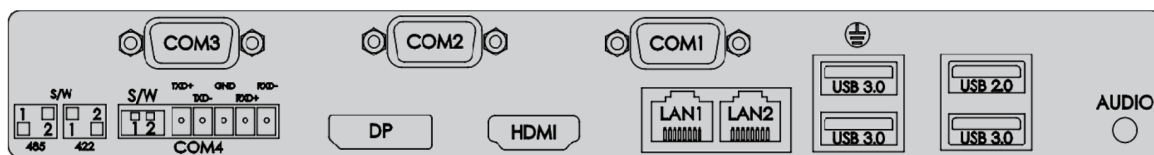


# Interface

**CM-iNP510-D**



**CM-iNP512-D | CM-iNP515-D | CM-iNP519-D**



**USA HQ** 2435 W. Horizon Ridge Pkwy, #100 Henderson, NV 89052

**Korea HQ** #1008 Signature Gwang-gyo 37, Poeun-daero 59, Suji-gu, Yongin-si, Gyeonggi-do, 16864 Korea

**E-mail** sales@cimoninc.com

**Tel.** +1-800-300-9916 (Toll-free)

**Tel.** +82-1899-5001

**Website** www.cimon.com